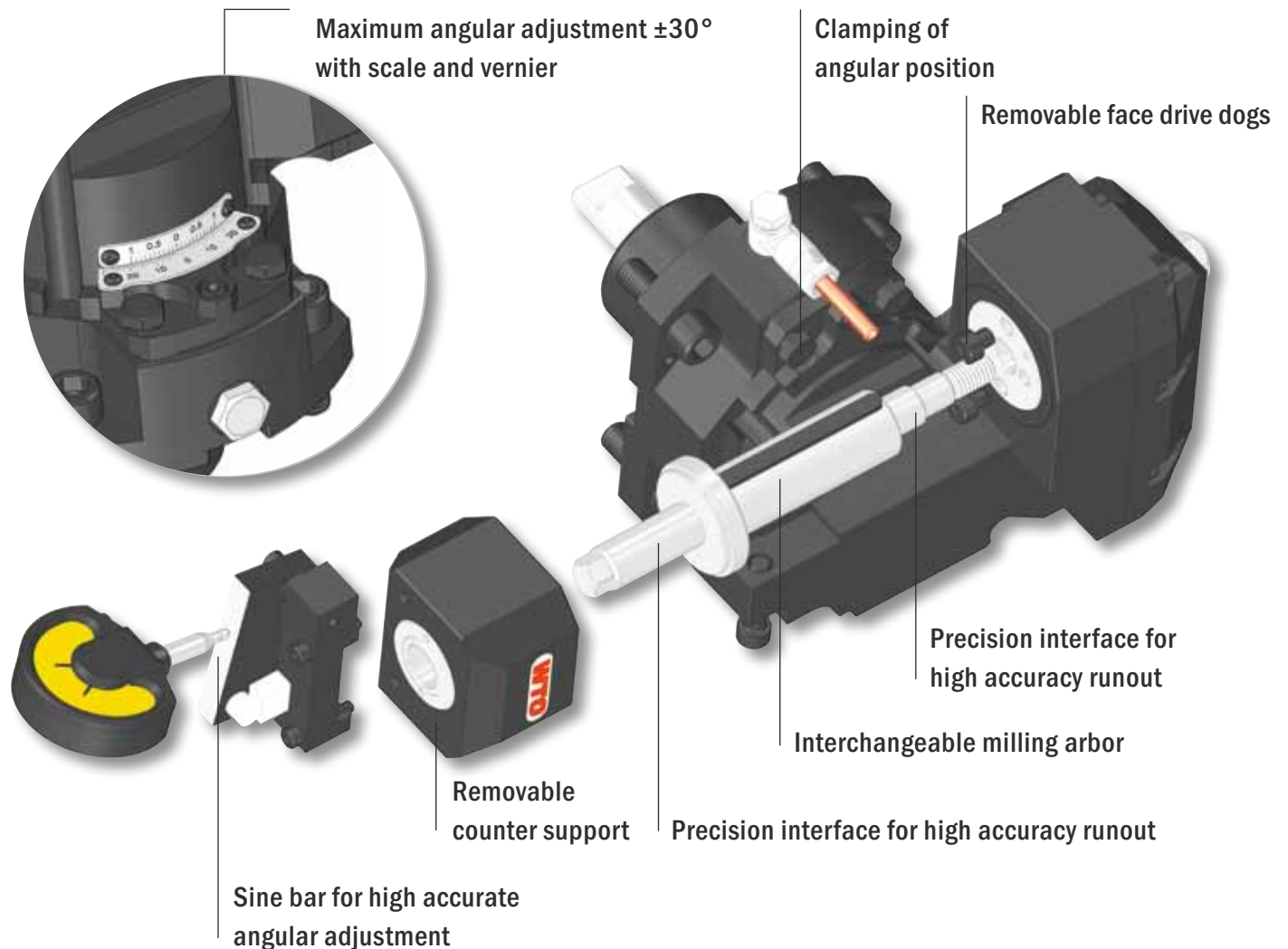


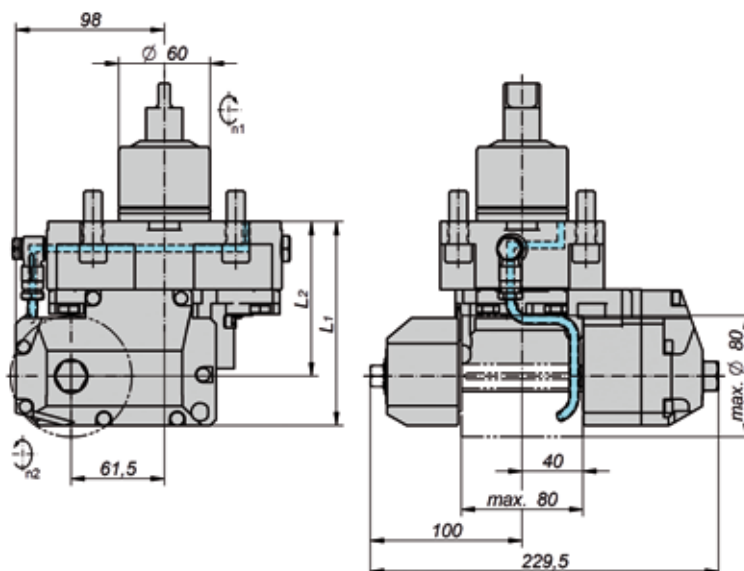
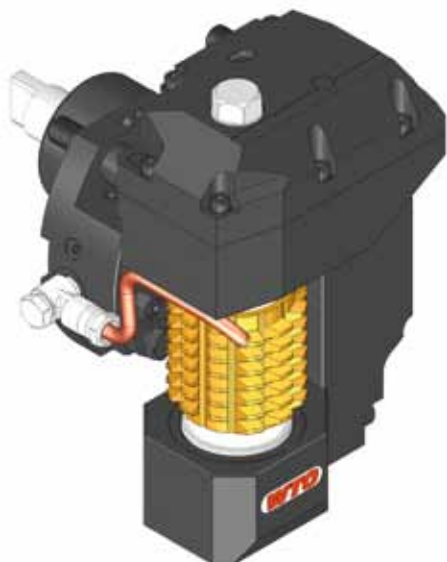
Gear Hobbing Unit



Max. cutting tool size	Ø80x80 mm	Ø80x80 mm
Ratio i (n1:n2)	1:1	2:1
Max. RPM (n2)	6,000	3,000
Max. torque M	60 Nm	80 Nm
Max. scale swing	±30°	±30°

Your benefit with WTO's gear hobbing unit

- | Gears up to module 3 mm
- | Usable for machining gear quality according to standard 8 ISO 1328, AGMA 8
- | High stiffness and runout accuracy
- | Interchangeable milling arbor available in different sizes
- | Easy cutting tool change through removable counter support and withdrawal of the complete milling arbor
- | Cutting tools can be pre-set



4115... (EC) with external coolant supply

Item No.	Interface		Drive coupling	Clamping system type	Dimensions/Data					Wrench 067500...
	ØD	Machine specification			L ₁	L ₂	n ₂ 1/min	M ₂ Nm	i n ₁ :n ₂	
411500003-55	55	Biglia Quattro D55	DIN 1809	16x1	99.5	67	6000	60	1:1	...0927
411500004-55	55	Biglia Quattro D55	DIN 1809	16x1	99.5	67	3000	80	2:1	...0927
411500002-55	55	BMT 55P	DIN 1809	16x1	99.5	67	6000	60	1:1	...0927
411500001-55	55	BMT 55P	DIN 1809	16x1	99.5	67	3000	80	2:1	...0927
411500003-65	65	BMT 65P	DIN 1809	16x1	102.5	70	6000	60	1:1	...0927
411500002-65	65	BMT 65P	DIN 1809	16x1	102.5	70	3000	80	2:1	...0927
411500009-55	55	BMT55-short	DIN 1809	16x1	113.5	81	3000	80	2:1	...0927
411500008-55	55	BMT55-short	DIN 1809	16x1	113.5	81	6000	60	1:1	...0927
411500008-65	65	BMT65-short	DIN 1809	16x1	104.5	72	3000	80	2:1	...0927
411500007-65	65	BMT65-short	DIN 1809	16x1	104.5	72	6000	60	1:1	...0927
411500000-68	68	CDI68-TN 340 000	DIN 5480	16x1	114.5	82	6000	60	1:1	...0954
411500018-60	60	Goodway GS-2000-4000 (12 stations)	DIN 1809	16x1	134.5	102	3000	80	2:1	...0926
411500017-60	60	Goodway GS-2000-4000 (12 stations)	DIN 1809	16x1	134.5	102	6000	60	1:1	...0926
411500001-63	63	Goodway GTS-200, 260	DIN 1809	16x1	104.5	72	3000	80	2:1	...0927
411500000-63	63	Goodway GTS-200, 260	DIN 1809	16x1	104.5	72	6000	60	1:1	...0927
411500039-40	40	JYOTI AX300	DIN 1809	16x1	112.5	80	3000	80	2:1	...0926
411500028-40	40	Mazak HQR-100/150MSY	DIN 1809	16x1	127.5	95	3000	80	2:1	...0962
411500030-40	40	Mazak HQR-200/250MSY	DIN 1809	16x1	157.5	125	3000	80	2:1	...0954
411500029-40	40	Mazak QTN-100M	DIN 1809	16x1	114.5	82	3000	80	2:1	...0962
411500032-40	40	Mazak QTN-200/250M	DIN 1809	16x1	147.5	115	3000	80	2:1	...0962
411500006-68	68	Mazak QTN-250MSY (BOT)	DIN 1809	16x1	117.5	85	3000	80	2:1	...0926
411500017-50	50	Mazak QTN-300/350/400/450M	DIN 1809	16x1	157.5	125	6000	60	1:1	...0954
411513000-60	60	DMG MORI NL1500, NL2000	DIN 1809	16x1	134.5	102	6000	40	1:1	...0926
411500008-60	60	DMG MORI NLX 1500-4000	DIN 1809	16x1	134.5	102	3000	80	2:1	...0926
411500007-60	60	DMG MORI NLX 1500-4000	DIN 1809	16x1	134.5	102	6000	60	1:1	...0926
411500018-40	40	DMG MORI NZX 1500-2000	DIN 1809	16x1	107.5	75	3000	80	2:1	...0926
411500017-40	40	DMG MORI NZX 1500-2000	DIN 1809	16x1	107.5	75	6000	60	1:1	...0926
411500000-75	75	DMG MORI NZX 4000	DIN 1809	16x1	147.5	115	3000	80	2:1	...0954
411500038-40	40	Muratec MT12/200	DIN 1809	16x1	122.5	90	3000	80	2:1	...0927
411500005-65	65	Nakamura D65/B100	DIN 1809	16x1	99.5	67	6000	60	1:1	...0927

Dimensions in mm

Gear Hobbing Unit (up to Modul 3)

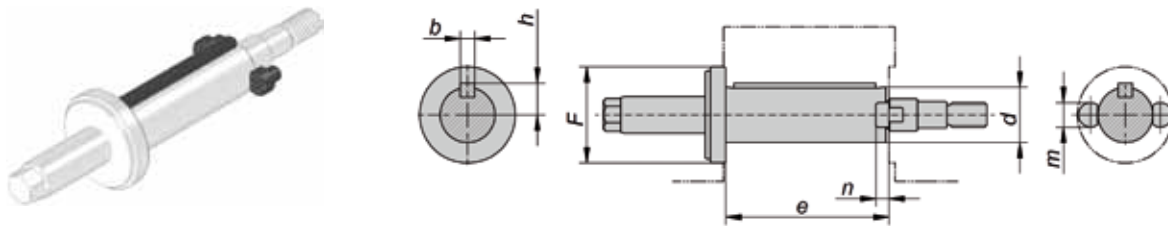




Item No.	Interface			Clamping system type	Dimensions/Data					Wrench 067500...
	ØD	Machine specification	Drive coupling		L1	L2	n2 1/min	M2 Nm	i n1:n2	
411500004-65	65	Nakamura D65/B100	DIN 1809	16x1	99.5	67	3000	80	2:1	...0927
411500015-60	60	Okuma LB/LU 2000-3000M	DIN 1809	16x1	102.5	70	3000	80	2:1	...0962
411500013-60	60	Okuma LB/LU 2000-3000M	DIN 1809	16x1	102.5	70	6000	60	1:1	...0962
411500011-60	60	Okuma LB4000M	DIN 1809	16x1	112.5	80	6000	60	1:1	...0927
411500010-60	60	Okuma LB4000M	DIN 1809	16x1	112.5	80	3000	80	2:1	...0927
411500023-60	60	Okuma LT 3000 EX M	DIN 1809	16x1	119.5	87	3000	80	2:1	...0962
411500022-60	60	Okuma LT 3000 EX M	DIN 1809	16x1	119.5	87	6000	60	1:1	...0962
411500020-40	40	Okuma LT-300M	1-stufig	16x1	112.5	80	3000	80	2:1	...0926
411500019-40	40	Okuma LT-300M	1-stufig	16x1	112.5	80	6000	60	1:1	...0926
411500037-40L	40	Gildemeister, Trifix	DIN 5480	16x1	132.5	100	3000	80	2:1	...0926
411500035-40	40	Sauter/Duplomatic	DIN 5480	16x1	112.5	80	3000	80	2:1	...0926
411500021-60	60	Takisawa EX 3.../5.../7.../9...	DIN 1809	16x1	107.5	75	3000	80	2:1	...0926
411500014-50	50	Takisawa TCN-2000, 2500	DIN 1809	16x1	107.5	75	6000	60	1:1	...0926
411500013-50	50	Takisawa TCN-2000, 2500	DIN 1809	16x1	107.5	75	3000	80	2:1	...0926
411500018-50	50	Takisawa TCY-160, 200	DIN 1809	16x1	107.5	75	3000	80	2:1	...0926
411500015-50	50	Takisawa TCY-160, 200	DIN 1809	16x1	107.5	75	6000	60	1:1	...0926
411500016-50	50	Takisawa TCY-160, 200	DIN 1809	16x1	107.5	75	3000	80	2:1	...0926
411500027-40	40	Takisawa TMM 200/250	DIN 1809	16x1	104.5	72	6000	60	1:1	...0962
411500025-40	40	Takisawa TMM 200/250	DIN 1809	16x1	109.5	77	3000	80	2:1	...0962
411500004-68	68	Takisawa TY-2000	DIN 1809	16x1	147.5	115	3000	80	2:1	...0969
411500003-68	68	Takisawa TY-2000	DIN 1809	16x1	147.5	115	6000	60	1:1	...0969
411500005-68	68	Takisawa TY-2000 (HPI Revolver)	DIN 1809	16x1	147.5	115	3000	80	2:1	...0969

Dimensions in mm

Order milling arbor, sine bar and wrenches separately.

Milling arbor type 16x1



Item No.	d	e	b	h	m	n	F		
160016161	16	80	4	9.2	8	4.5	47	104358	45988
160022161	22	80	6	12.6	10	5.6	47	80120	45151
160027161	27	80	7	15.5	12	6.3	47	77856	77558
160015161	5/8"	80	1/8"	9.51	7.94	4.5	47	77705	77704
160019161	3/4"	80	1/8"	11.11	7.94	4.5	47	77706	77704
160023161	7/8"	80	1/8"	12.69	7.94	4.5	47	77705	91840
160025161	1"	80	1/4"	15.07	9.53	5.0	47	77870	85352
160031161	1 1/4"	80	1/4"	18.26	-	-	47	77870	-

Dimensions in mm

Sine bar



Item No.	Range
96394	0° - 45°

