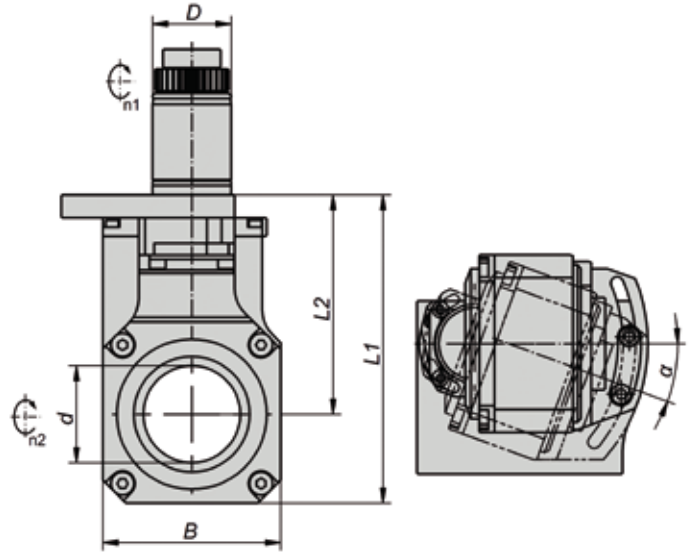


Thread whirling unit with insert holder type 42BJ



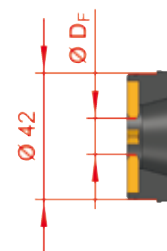
4199... (EC) with external coolant supply

Item No.	Interface		Insert holder dimension Ød	Dimensions/Data					
	ØD	Machine specification		B	L1	L2	n 1/min	α	i n1:n2
419900002-34	34	Star SR20R/Star SR32J/Goodway SW20	42	77	133.5	95	8000	20°	1:1
419900005-44	44	Star SV20/Star SV32JII (sub spindle)	42	77	133	94	8000	±22°	1:1
419900007-44	44	Star SV20/Star ECAS20T/Star SV32JII	42	77	133.5	95	8000	20°	1:1
419900008-44	44	Star SV32/Star ECAS32T	42	77	133.5	95	8000	20°	1:1
419900000-32	32	Doosan ST20G/GS	42	77	143.5	105	8000	20°	1:1
419900002-32	32	Doosan ST32G/GS/ST35G/GS	42	77	143.5	105	8000	20°	1:1
419900004-30	30	Hanwha XD12II	42	77	122.5	84	8000	±20°	1:1
419900002-30	30	Hanwha XD20H/XD26H	42	77	143.5	105	8000	20°	1:1
419900006-30	30	Hanwha XD20II/XD26II	42	77	143.5	105	8000	±15°	1:1
419900000-35	35	Hanwha XDI20	42	77	139	100.5	8000	20°	1:1
419900004-32	32	Hanwha XD32H/II /XD35H/II /XD38H/II	42	77	143.5	105	8000	±15°	1:1
419900007-30	30	Hanwha STL32H/STL35H/STL38H	42	77	143.5	105	8000	±20°	1:1
419900000-39	39	Goodway SW32/SW42	42	77	133.5	95	8000	20°	1:1
419900009-30	30	Nexturn SA20/SA26/SA32/SA20XII	42	77	153.5	115	8000	20°	1:1
419900003-32	32	Citizen L20	42	77	140.5	102	8000	±20°	1:1
419900000-46	46	Tsugami B0265-326/Tsugami SS20-32	42	77	143.5	105	8000	20°	1:1
419900001-35	35	Tsugami S205/206	42	77	158	119.5	8000	20°	1:1

Dimensions in mm

Suitable insert holders for type 42BJ (order separately)

WTO insert holder interface TN762004



Type 42BJ

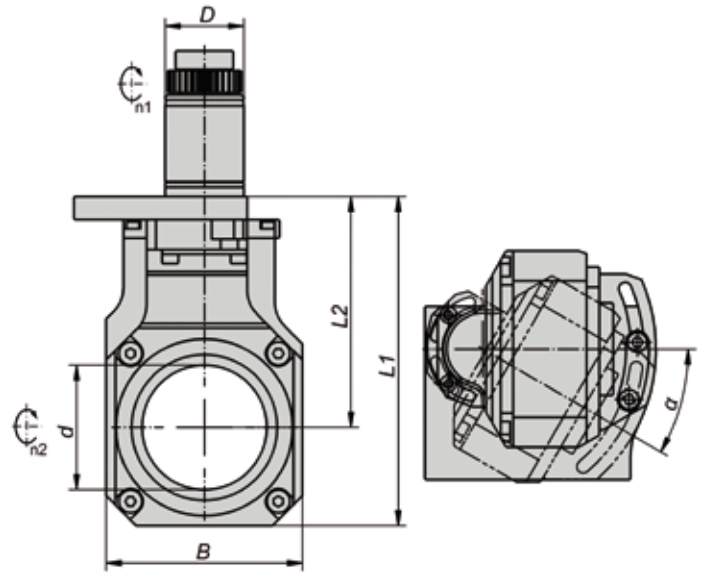
Item No.
M302.W012.32.06

Item No.
119012

Item No.
22406

Item No.
325-12EE32-16M

Thread whirling unit with insert holder type 54BJ



4199... (EC) with external coolant supply

Item No.	Interface		Insert holder dimension Ød	Dimensions/Data					
	ØD	Machine specification		B	L ₁	L ₂	n 1/min	α	i n1:n2
419900003-34	34	Star SR20R/Star SR32J/Goodway SW20	54	85	142.5	100	6000	30°	1,36:1
419900010-44	44	Star SV32/Star ECAS32T	54	85	142.5	100	6000	30°	1,36:1
419900006-32	32	Doosan ST20G/GS	54	85	152.5	110	6000	30°	1,36:1
419900005-32	32	Doosan ST32G/GS/ST35G/GS	54	85	152.5	110	6000	30°	1,36:1
419900011-30	30	Hanwha XD20H/XD26H	54	85	152.5	110	6000	30°	1,36:1
419900012-30	30	Hanwha XD20II/XD26II	54	85	152.5	110	6000	30°	1,36:1
419900003-35	35	Hanwha XDI20	54	85	148	105.5	6000	30°	1,36:1
419900007-32	32	Hanwha XD32H/II /XD35H/II /XD38H/II	54	85	152.5	110	6000	30°	1,36:1
419900010-30	30	Nexturn SA20/SA26/SA32/SA20XII	54	85	162.5	120	6000	30°	1,36:1
419900001-46	46	Tsugami B0265-326/Tsugami SS20-32	54	85	152.5	110	6000	30°	1,36:1
419900002-35	35	Tsugami S205/206	54	85	167	124.5	6000	30°	1,36:1

Dimensions in mm

Suitable insert holders for type 54BJ (order separately)



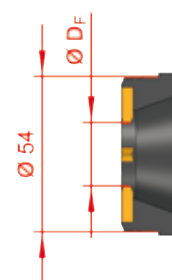
Item No.
M302.0016.0445

Item No.
149508

Item No.
268664

Item No.
on request

WTO insert holder interface
TN762006



Type 54BJ